

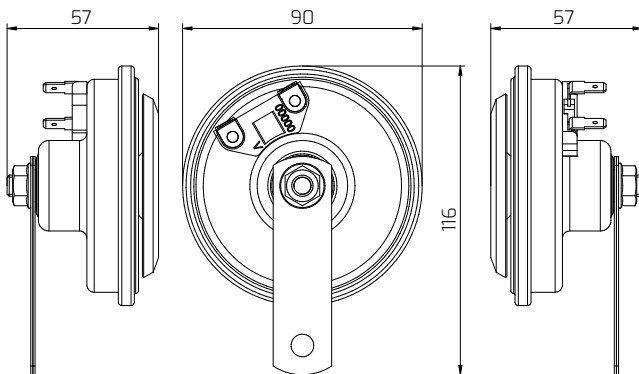


**ELECTRONIC HORN | ø90**

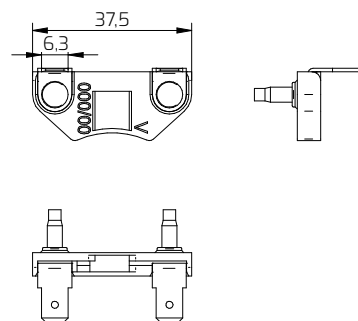
**LINE K91 EM H 12/80V 2M**



**Technical drawing**



**Connection**



# LINE K91 EM H 12/80V 2M

## Technical features

|                                      |        |                 |
|--------------------------------------|--------|-----------------|
| Nominal Voltage                      | Vcc    | 12-80           |
| Voltage Range                        | Vcc    | 9÷96            |
| Current Consumption                  | A      | <2,5 / 0,5      |
| Sound Pressure Level (at 2 meters)   | dB(A)  | 108             |
| Frequency (High Tone)                | Hz     | 430             |
| Terminals (No. 2 Faston 6,3 x 0,8mm) | nr     | 2               |
| Durability (1" On + 4" Off )         | cycles | > 1.000.000     |
| Corrosion resistance (UNI 9227)      | h      | >192            |
| Operating and Storage Temperature    | °C     | from -30 to +80 |
| Electrical Insulation (at 1000Vcc)   | MΩ     | >10             |
| Vibrations (30 min x 3 axis)         | g      | 3               |
| Weight including bracket             | gr     | 300             |

## Packing

|                           |     |                 |
|---------------------------|-----|-----------------|
| Single Packing Dimensions | mm  | 105 x 95 x 70 h |
| Master Carton Quantity    | pcs | 30              |
| Master Carton Dimensions  | cm  | 35 x 30 x 23 h  |
| Master Carton Weight      | kg  | 9,6             |

## Mounting Instructions

### K91EM electromagnetic Disc Horn

To function correctly, the horn must be free to vibrate:

- It is therefore good that there is at least 1 cm around it of space to avoid contact with other surfaces.

The horn must be installed in a vertical position:

- The mechanical connection with the standard linear brackets must be carried out on a flat, rigid surface (possibly metal) for a maximum length of 22 mm.

The horn must be installed in a position protected from:

- sprays of water generated by the movement of the vehicle or by washing systems.
- foreign bodies such as stones, insects, mud, snow, etc.
- excessive heat sources (above 80°) such as radiators, exhaust pipes, engines.

### ATTENTION!

We recommend the utmost care in managing the installation phase, avoiding:

- tampering with the horn diffuser disc which can cause deformation of the thin membrane compromising its functioning in terms of frequency and sound level
- the horn falls to the ground which can lead to its misalignment.

