



## FAN COVER FOR ELECTRIC MOTORS

# IEC/MEC 80 VP B

### MATERIALS

- DC04** Raw sheet metal  
**DX54** Hot-dip galvanised sheet

### FINISHING

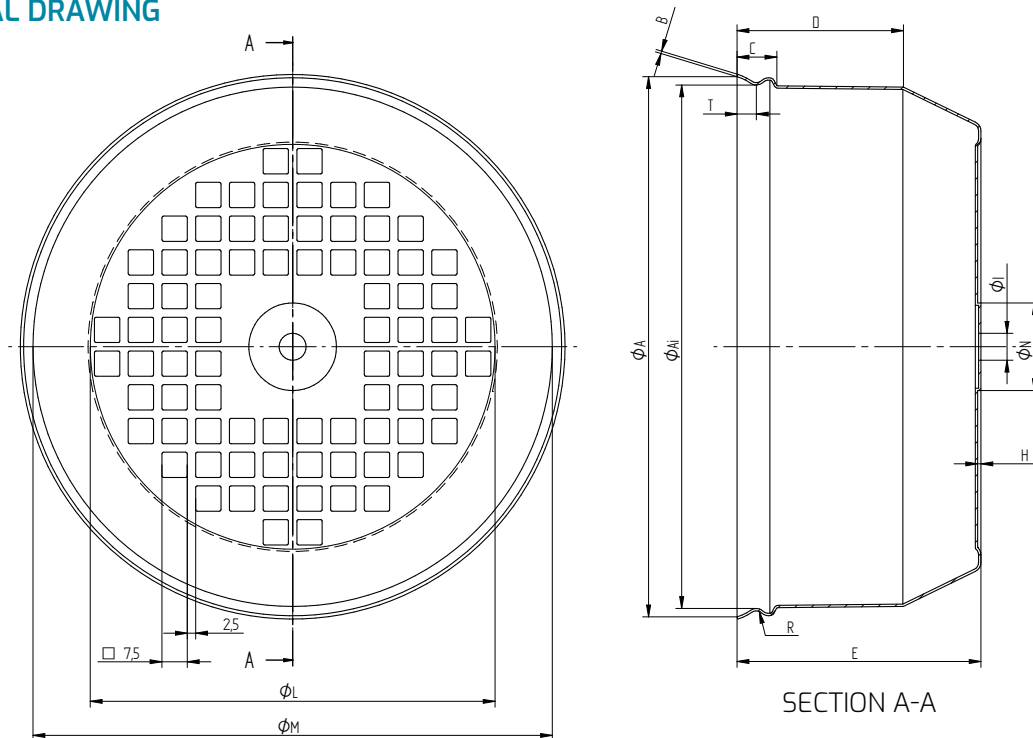
- Zinc-plating  
Painting (RAL9005)  
[Other colours are available on request]  
Phosphodegreasing

### RENDER



# IEC/MEC 80 VP B

## TECHNICAL DRAWING



## TECHNICAL DATA

Code	Dimension Description	Type VP B
A	Ø	158
A1	Ø Inner edge	154,5
B	Steel Thickness	0,7
C	Bar Height	11,5
D	Side Height	50
E	Total Height	73
H	Lowering Grill Height	1
I	Central Hole	8
L	Ø Grill	120
M	Ø Internal	155
T	Edge Height	4,5
R	Edge Radius	1,5
cm <sup>2</sup>	Air Flow Section	45,5
N	Central Blanking	25,5

*Customizable on request*

## PACKING

Single Packing Dimensions	mm	790 x 580 x 308 h
Pieces for box	n.	135
Box weight	kg	32

