



## FAN COVER FOR ELECTRIC MOTORS

# IEC/MEC 80 T/EXTENDED

### MATERIALS

- DC04** Raw sheet metal  
**DX54** Hot-dip galvanised sheet

### FINISHING

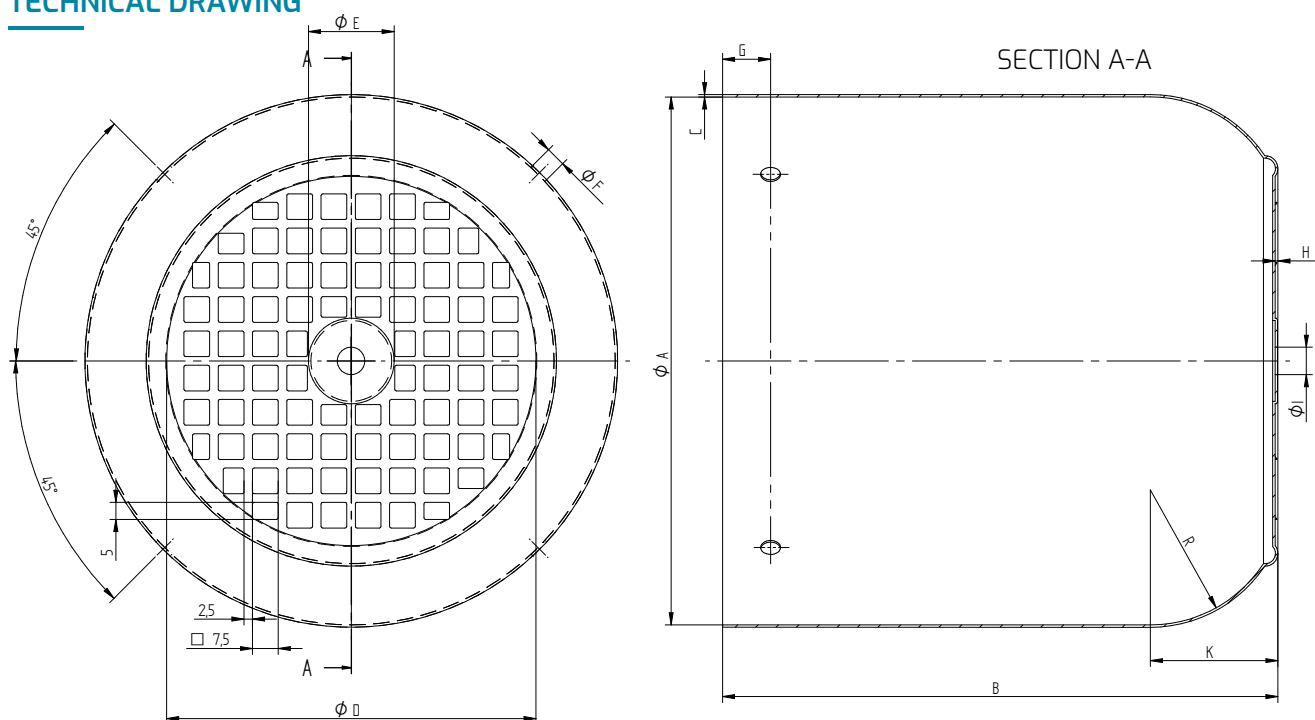
- Zinc-plating  
Painting (RAL9005)  
[Other colours are available on request]  
Phosphodegreasing

### RENDER



# IEC/MEC 80 T/EXTENDED

## TECHNICAL DRAWING



## TECHNICAL DATA

Code	Dimension Description	Type T/EXTENDED
A	Ø	154
B	Height	162
C	Steel Thickness	0,7
D	Ø Grill	112
E	Central Blanking	25
F	Ø Fixing Holes	5,8
G	Hole's Distance	14
H	Lowering Grill Height	1,5
R	Curvature Radius	40
cm <sup>2</sup>	Air Flow Section	45,5
I	Central Hole	8

*Customizable on request*

## PACKING

Single Packing Dimensions	mm	790 x 580 x 308 h
Pieces for box *	n.	38
Box weight **	kg	-

\* version h. 162 cm

\*\* It depends on the required height



L.E.B. S.p.A. | Via Antonio Pacinotti 34 – 36040 Brendola (VI)  
Tel. 0444 400668 – Fax 0444 400829  
infoleb@leb.it | www.leb.it

REV. 09/21