



FAN COVER FOR ELECTRIC MOTORS

IEC/MEC 71 T

MATERIALS

- DC04** Raw sheet metal
- DX54** Hot-dip galvanised sheet

FINISHING

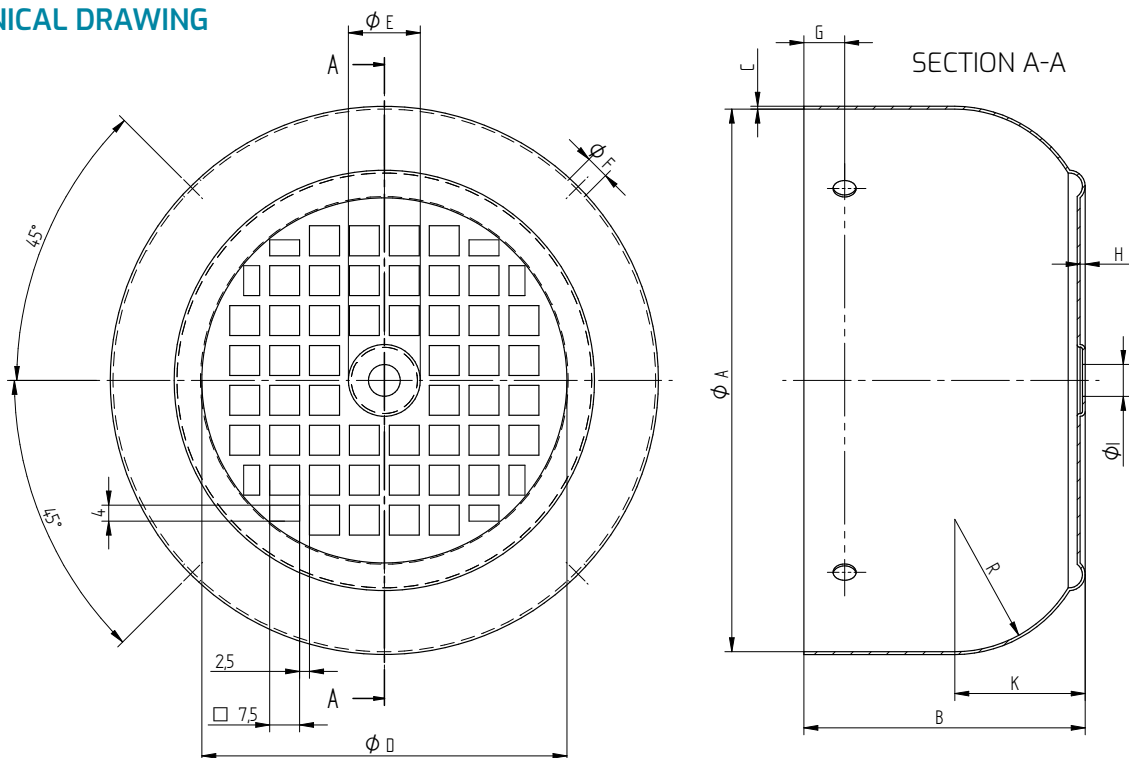
- Zinc-plating
- Painting (RAL9005)
[Other colours are available on request]
- Phosphodegreasing

RENDER



IEC/MEC 71 T

TECHNICAL DRAWING



TECHNICAL DATA

Code	Dimension Description	Type T
A	Ø	136
C	Steel Thickness	0,7
D	Ø Grill	92
E	Central Blanking	18
F	Ø Fixing Holes	5,8
R	Curvature Radius	34
H	Lowering Grill Height	1,3
K	Central Radius Height	35,5
cm ²	Air Flow Section	29,8
B	Height	70,5
G	Hole's Distance	10,2
I	Central Hole	8

Customizable on request

PACKING

Single Packing Dimensions	mm	790 x 580 x 308 h
Pieces for box	n.	165
Box weight	kg	30,8

