



FAN COVER FOR ELECTRIC MOTORS

IEC/MEC 63 VP B

MATERIALS

- DC04** Raw sheet metal
DX54 Hot-dip galvanised sheet

FINISHING

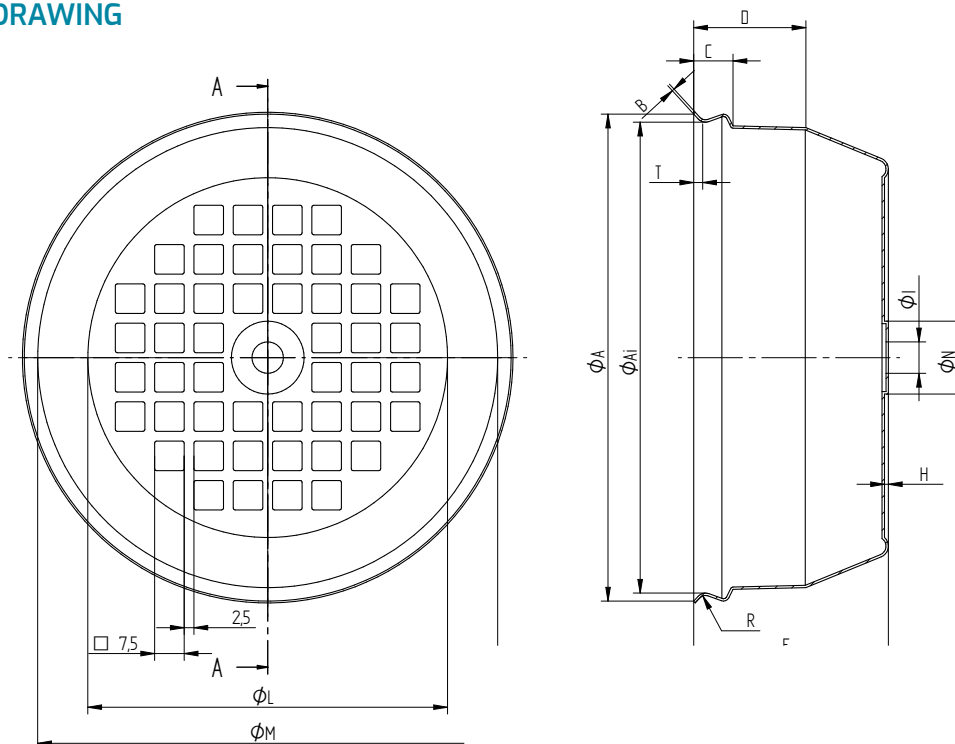
- Zinc-plating
Painting (RAL9005)
[Other colours are available on request]
Phosphodegreasing

RENDER



IEC/MEC 63 VP B

TECHNICAL DRAWING



TECHNICAL DATA

Code	Dimension Description	Type VP B
A	Ø	124
A1	Ø Inner edge	119,8
B	Steel Thickness	0,6
C	Bar Height	9,9
D	Side Height	28,5
E	Total Height	49,5
H	Lowering Grill Height	1
I	Central Hole	8
L	Ø Grill	91,5
M	Ø Internal	116,7
T	Edge Height	3
R	Edge Radius	2
cm ²	Air Flow Section	27,5
N	Central Blanking	18,5

Customizable on request

PACKING

Single Packing Dimensions	mm	790 x 580 x 308 h
Pieces for box	n.	500
Box weight	kg	58,8

