



FAN COVER FOR ELECTRIC MOTORS

IEC/MEC 63 T/MP 2F+1A

MATERIALS

- DC04** Raw sheet metal
DX54 Hot-dip galvanised sheet

FINISHING

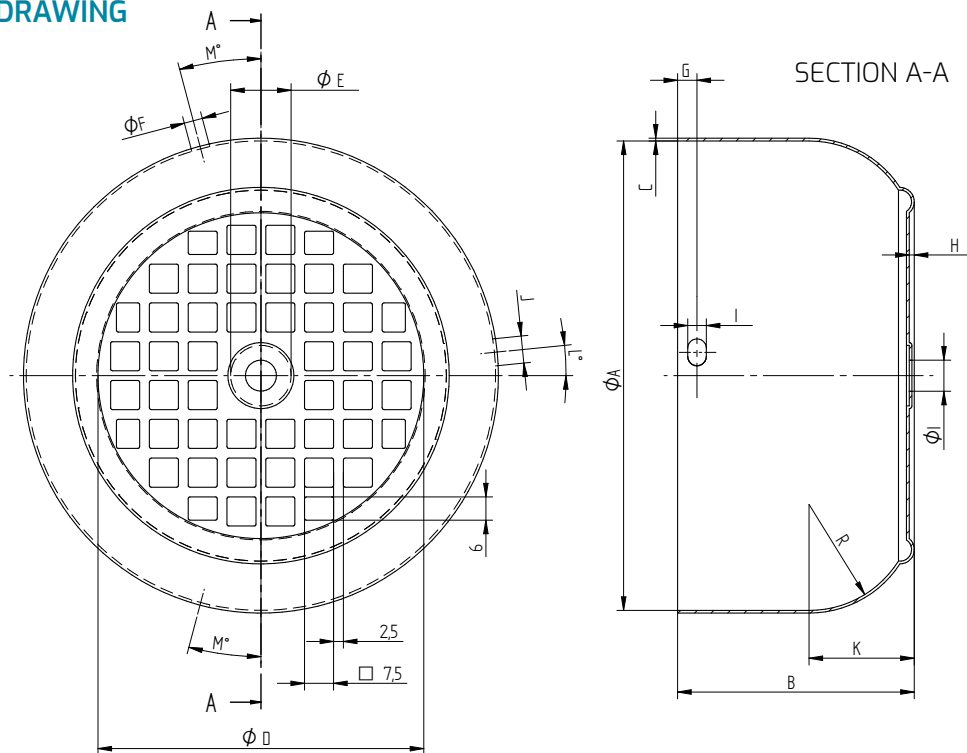
- Zinc-plating
Painting (RAL9005)
[Other colours are available on request]
Phosphodegreasing

RENDER



IEC/MEC 63 T/MP 2F+1A

TECHNICAL DRAWING



TECHNICAL DATA

Code	Dimension Description	Type T/MP 2F+1A
A	Ø	121
B	Height	65
C	Steel Thickness	7
D	Ø Grill	4,8
F	Ø Fixing Holes	4,8
G	Hole's Distance	5
R	Curvature Radius	31
L°	Buttonhole Position	5,7°
M°	Holes Position	14,85°
cm ²	Air Flow Section	23,6
E	Central Blanking	17
I	Central Hole	8

Customizable on request

PACKING

Single Packing Dimensions	mm	790 x 580 x 308 h
Pieces for box	n.	210
Box weight	kg	32,2

