



FAN COVER FOR ELECTRIC MOTORS

IEC/MEC 63 T

MATERIALS

- DC04** Raw sheet metal
- DX54** Hot-dip galvanised sheet

FINISHING

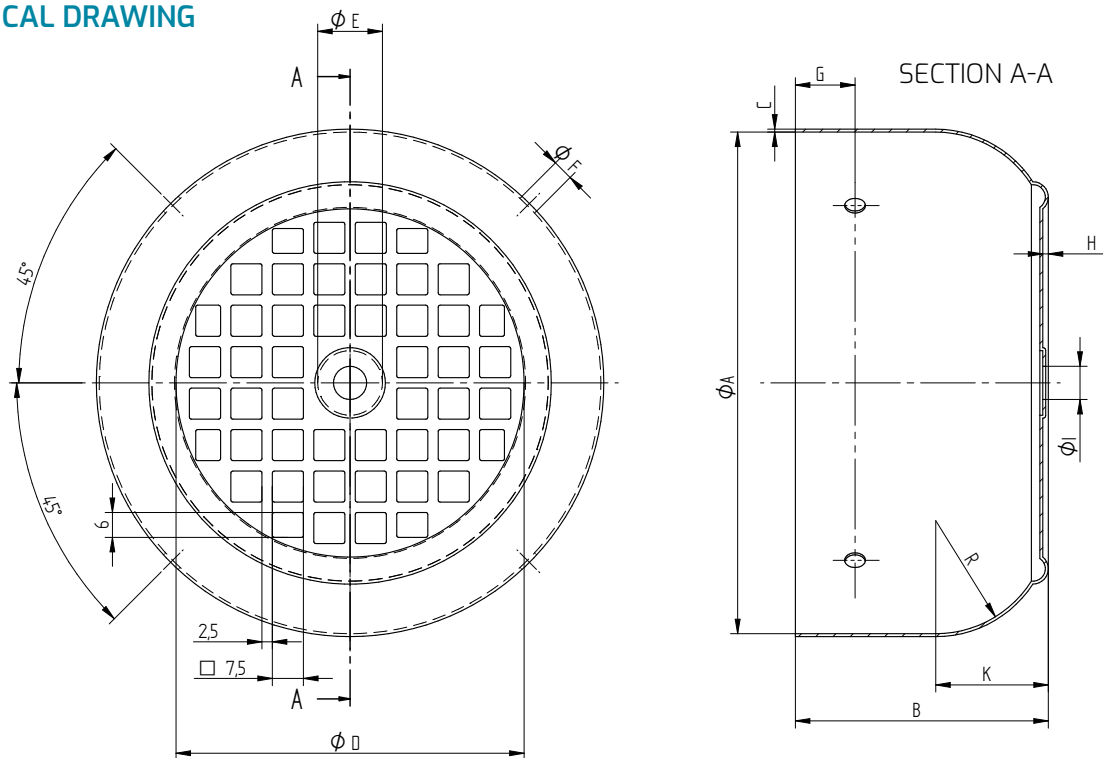
- Zinc-plating
- Painting (RAL9005)
- [Other colours are available on request]
- Phosphodegreasing

RENDER



IEC/MEC 63 T

TECHNICAL DRAWING



TECHNICAL DATA

Code	Dimension Description	Type T
A	Ø	121
C	Steel Thickness	0,7
D	Ø Grill	84
E	Central Blanking	17
F	Ø Fixing Holes	5
R	Curvature Radius	28
H	Lowering Grill Height	1,5
K	Central Radius Height	32
cm ²	Air Flow Section	26,1
B	Height	61
G	Hole's Distance	14,4
I	Central Hole	8

Customizable on request

PACKING

Single Packing Dimensions	mm	790 x 580 x 308 h
Pieces for box	n.	240
Box weight	kg	33,4

