



FAN COVER FOR ELECTRIC MOTORS

IEC/MEC 100 T/NIC

MATERIALS

- DC04** Raw sheet metal
DX54 Hot-dip galvanised sheet

FINISHING

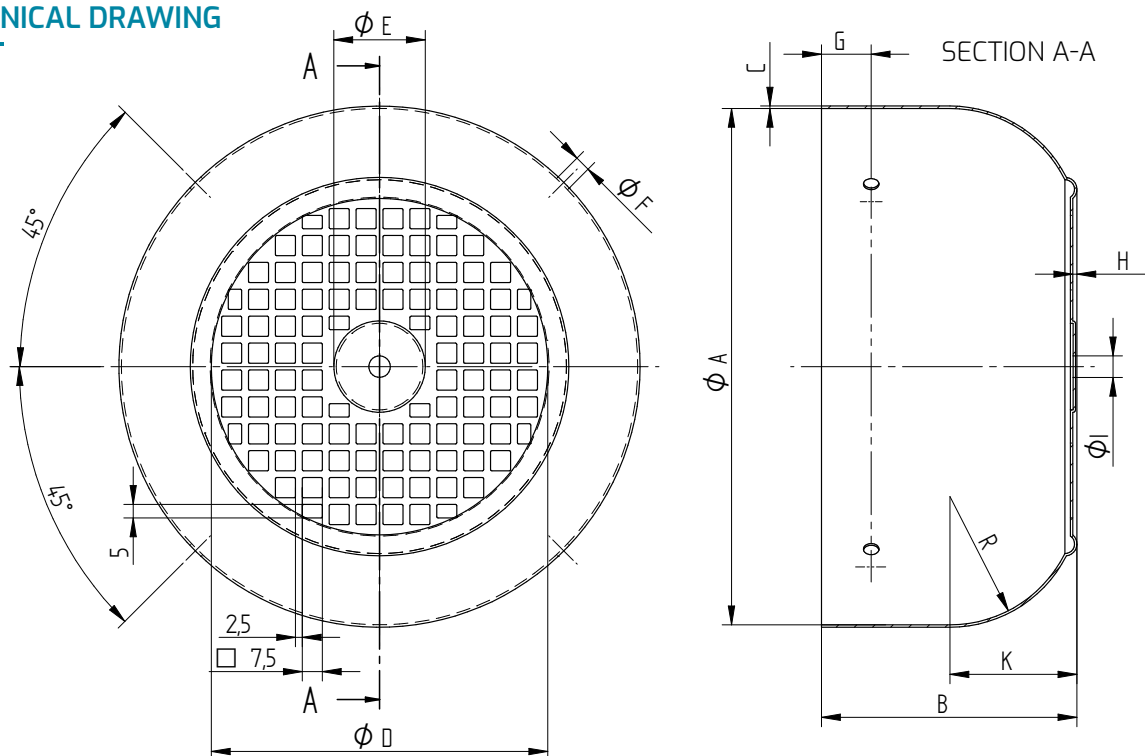
- Zinc-plating
Painting (RAL9005)
[Other colours are available on request]
Phosphodegreasing

RENDER



IEC/MEC 100 T/NIC

TECHNICAL DRAWING



TECHNICAL DATA

Code	Dimension Description	Type T/NIC
A	Ø	192
C	Steel Thickness	0,9
D	Ø Grill	125
E	Central Blanking	34
F	Ø Fixing Holes	5,8
R	Curvature Radius	49
H	Lowering Grill Height	1
K	Central Radius Height	49,3
cm ²	Air Flow Section	58,9
B	Height	95
G	Hole's Distance	16,5
I	Central Hole	8

Customizable on request

PACKING

Single Packing Dimensions	mm	790 x 580 x 308 h
Pieces for box	n.	60
Box weight	kg	26

