



## FAN COVER FOR ELECTRIC MOTORS

# IEC/MEC 100 T/MP

### MATERIALS

- DC04** Raw sheet metal
- DX54** Hot-dip galvanised sheet

### FINISHING

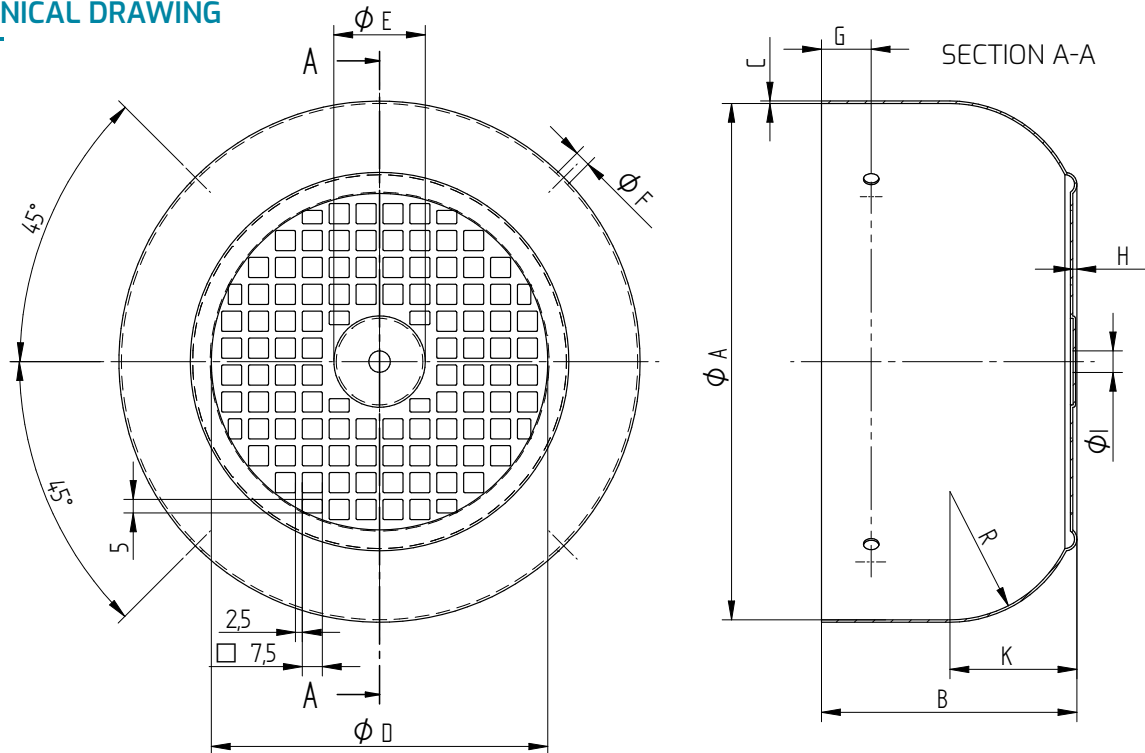
- Zinc-plating
- Painting (RAL9005)  
[Other colours are available on request]
- Phosphodegreasing

### RENDER



# IEC/MEC 100 T/MP

## TECHNICAL DRAWING



## TECHNICAL DATA

Code	Dimension Description	Type T/MP
A	Ø	192
C	Steel Thickness	0,9
D	Ø Grill	125
E	Central Blanking	34
F	Ø Fixing Holes	5,8
R	Curvature Radius	49
H	Lowering Grill Height	1
K	Central Radius Height	49,3
cm <sup>2</sup>	Air Flow Section	58,9
B	Height	100
G	Hole's Distance	18,5
I	Central Hole	8

*Customizable on request*

## PACKING

Single Packing Dimensions	mm	790 x 580 x 308 h
Pieces for box	n.	48
Box weight	kg	22,6

