



FAN COVER FOR ELECTRIC MOTORS

IEC/MEC 100 T/MP 2F+1A

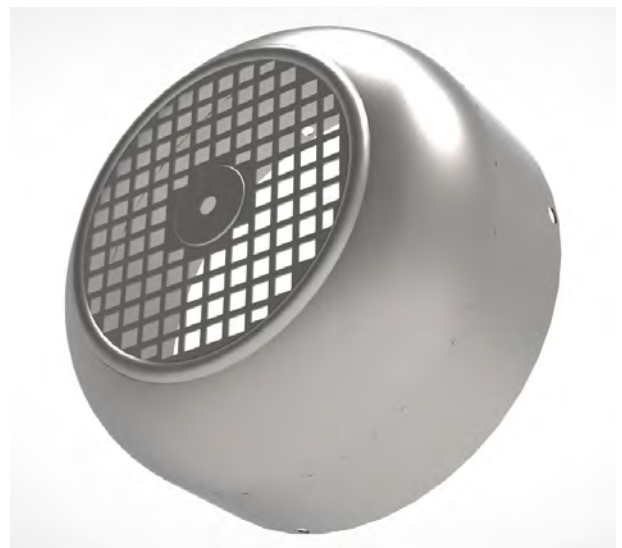
MATERIALS

- DC04** Raw sheet metal
DX54 Hot-dip galvanised sheet

FINISHING

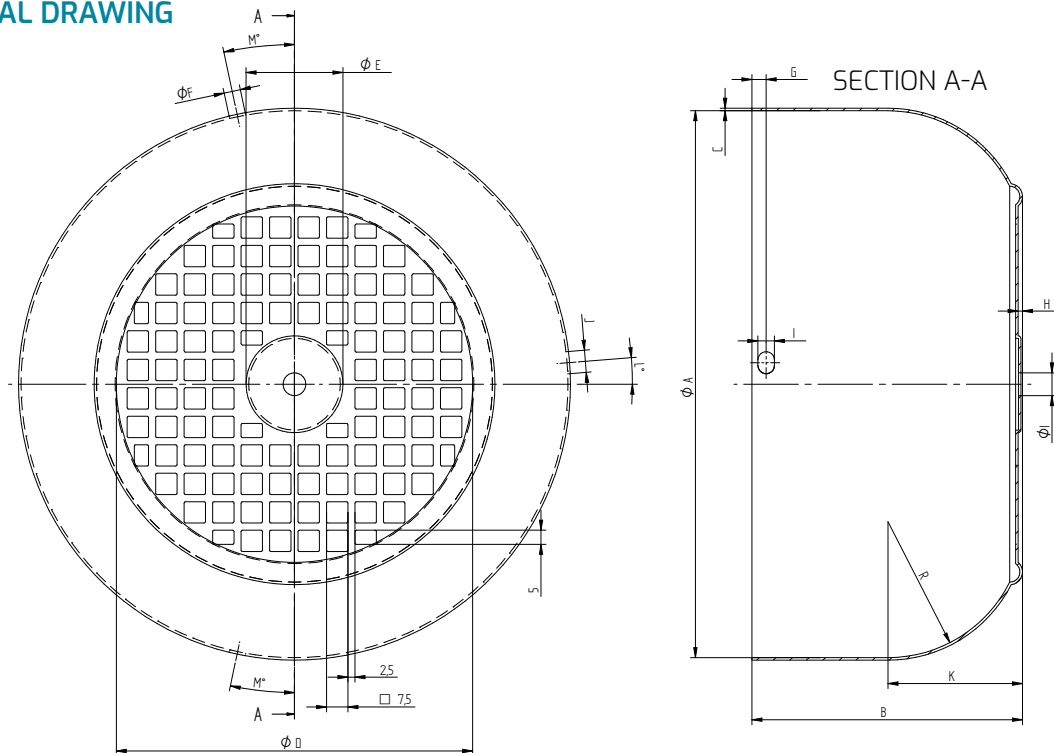
- Zinc-plating
Painting (RAL9005)
[Other colours are available on request]
Phosphodegreasing

RENDER



IEC/MEC 100 T/MP 2F+1A

TECHNICAL DRAWING



TECHNICAL DATA

Code	Dimension Description	Type T/MP 2F+1A
A	Ø	192
B	Height	100
C	Steel Thickness	7.8
D	Ø Grill	5.8
F	Ø Fixing Holes	5,8
G	Hole's Distance	5
R	Curvature Radius	47,7
L°	Buttonhole Position	4,5°
M°	Holes Position	12°
cm ²	Air Flow Section	58,6
E	Central Blanking	34
I	Central Hole	8

Customizable on request

PACKING

Single Packing Dimensions	mm	790 x 580 x 308 h
Pieces for box	n.	48
Box weight	kg	22,6

