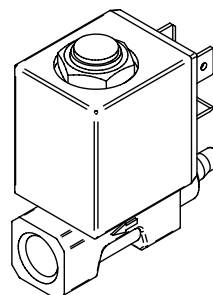
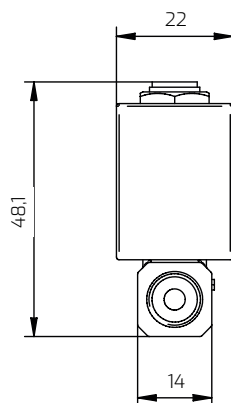
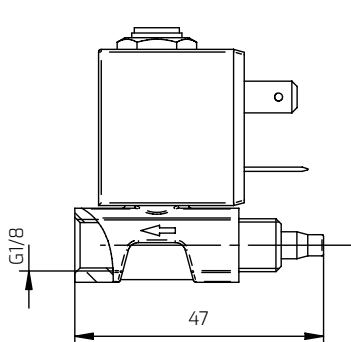


ACCESSORIES/SPARE PARTS LINE

ELECTROVALVE EV 12V
ELECTROVALVE EV 24V
MANUAL PULL VALVE - VTIR



Technical drawing



Connection

Three plugs 6,3 x 0,8 mm

ELECTROVALVE EV 12V ELECTROVALVE EV 24V MANUAL PULL VALVE - VTIR

Technical features		12V	24V	VTIR
Nominal Voltage	Vcc	12	24	-
Voltage Range	Vcc	11,4÷13,8	22,8÷27,6	-
Current Consumption	A	<1		-
Operating pressure	kPa	600 ÷ 1200		
Terminals	nr	2		-
Durability (1" On + 4" Off)	cycles	> 50.000		
Corrosion resistance (UNI 9227)	h	>192		-
Operating and Storage Temperature	°C	from -30 to +80		
Electrical Insulation (at 1000Vcc)	MΩ	>10		
Raccordi per tubo plastica diametro	mm	4x6		
Vibrations (30 min x 3 axis)	g	1		
Weight including fittings and bracket	gr	155		130

Packing		EV	VTIR
Single Packing Dimensions	mm	120 x 65 x 30 h	
Master Carton Quantity	pcs	50	
Master Carton Dimensions	cm	38 x 30 x 14 h	
Master Carton Weight	kg	9	7,5

Mounting Instructions

EV

Install the electric valve on a hard flat surface.

The valve must be installed in a position protected by:

- sprays of water generated by the movement of the vehicle or by washing systems.
- foreign bodies such as stones, insects, mud, snow, etc.
- excessive heat sources (above 80°) such as radiators, exhaust pipes, engines.

VTIR

Install the wire valve on a hard flat surface.

Install the wire valve inside the vehicle.

