



Van



Truck



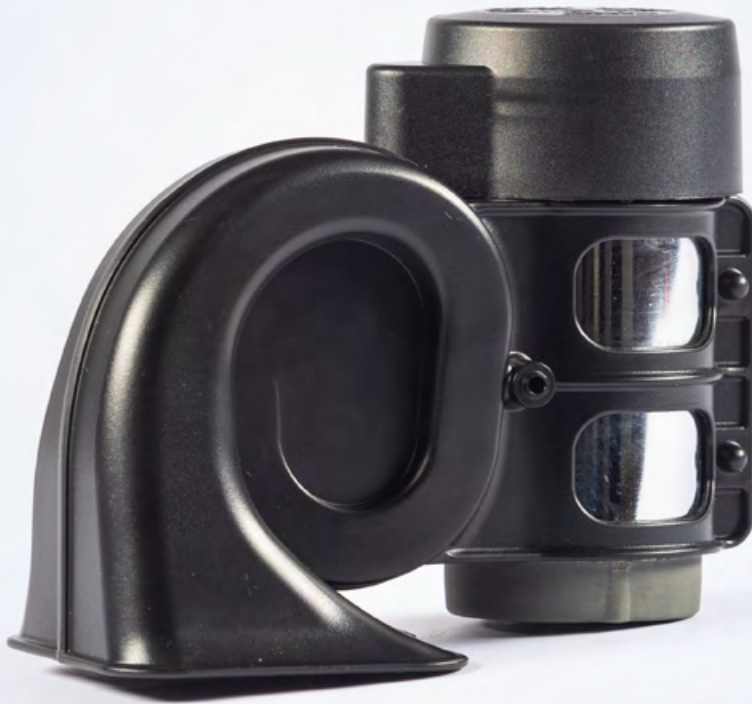
Bus



Camper



SUV

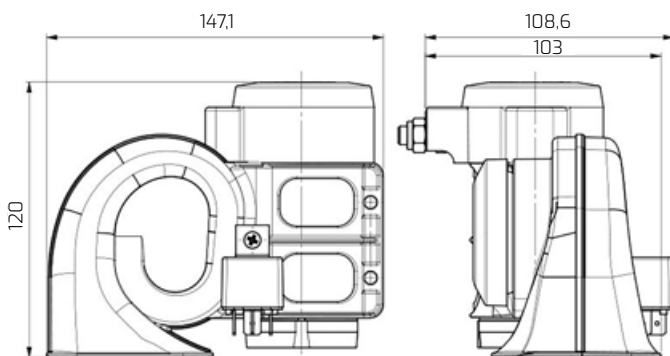


ELECTROPNEUMATIC HORN

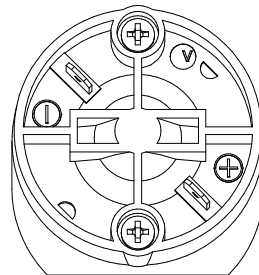
LINE PN TWISTER 24V

E3 28 E3 10

Technical drawing



Connection



LINE PN TWISTER 24V

Technical features

Nominal Voltage	Vcc	24
Voltage Range	Vcc	22,8÷27,6
Current Consumption	A	<10
Sound Pressure Level (at 2 meters)	dB(A)	115
Frequency (Low Tone)	Hz	300
Terminals (No. 2 Faston 6,3 x 0,8mm)	nr	2
Durability (1" On + 4" Off)	cycles	>50.000
Corrosion resistance (UNI 9227)	h	>192
Operating and Storage Temperature	°C	from -30 to +80
Electrical Insulation (at 1000Vcc)	MΩ	>10
Vibrations (30 min x 3 axis)	g	3
Weight including bracket	gr	690

Packing

Single Packing Dimensions	mm	125 x 85 x 160 h
Master Carton Quantity	pcs	18
Master Carton Dimensions	cm	27 x 41 x 35 h
Master Carton Weight	kg	14

Mounting Instructions

TWISTER and STORM - ELECTROPNEUMATIC HORN

The compressor and the horns must be fixed to a flat, rigid surface (possibly metal) using the special brackets and screws supplied.

The horn must be installed in a position protected from:

- prays of water generated by the movement of the vehicle or by washing systems.
- foreign bodies such as stones, insects, mud, snow, etc.
- excessive heat sources (above 80°) such as radiators, exhaust pipes, engines.

ATTENTION!

It is recommended to install the horn with the electrical connection of the compressor pointing downwards.

