

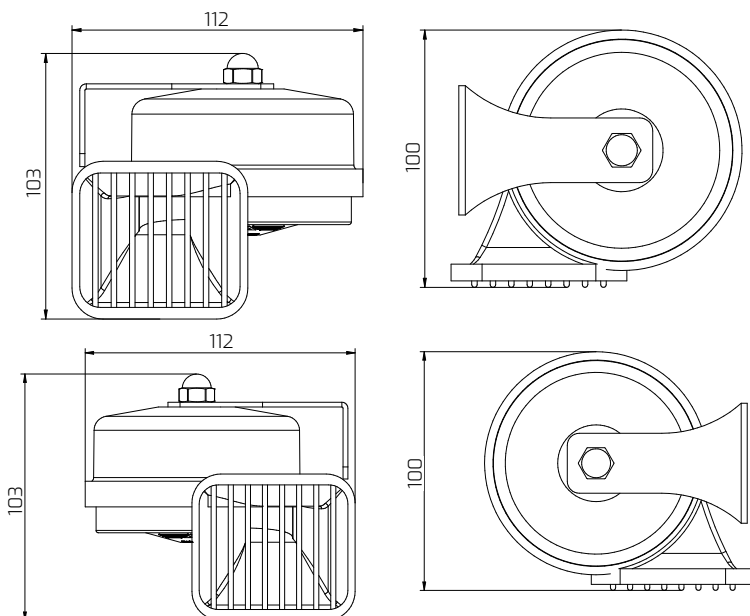


ELECTROMAGNETIC ACOUSTIC SNAIL HORN | ø90

LINE TN91/2 24V

E3 28

Technical drawing



Connection

Electrical wires

LINE TN91/2 24V

Technical features

Nominal Voltage	Vcc	24
Voltage Range	Vcc	22,8÷27,6
Current Consumption	A	<3 x 2
Sound Pressure Level (at 2 meters)	dB(A)	109
Frequency (High + Low Tone)	Hz	470 + 410
Terminals (No. 2 Faston 6,3 x 0,8mm)	nr	2
Durability (1" On + 4" Off)	cycles	>50.000
Corrosion resistance (UNI 9227)	h	>192
Operating and Storage Temperature	°C	from -30 to +80
Electrical Insulation (at 1000Vcc)	MΩ	>10
Vibrations (30 min x 3 axis)	g	3
Weight including bracket and screws	gr	1.020

Packing

Single Packing Dimensions	mm	255 x 120 x 120 h
Master Carton Quantity	pcs	12
Master Carton Dimensions	cm	56 x 44 x 26 h
Master Carton Weight	kg	12

Mounting Instructions

TN91 horn

The horn must be installed in a vertical or horizontal position, in any case such that the mouth of the horn is facing downwards.

- The mechanical connection with the bracket and screws supplied must be carried out on a flat, rigid surface (possibly metal).

The horn must be installed in a position protected from:

- splashes of water generated by the movement of the vehicle.
- foreign bodies such as stones, insects, mud, snow, etc.
- excessive heat sources (above 80 °) such as radiators, exhaust pipes, engines.

ATTENTION!

We recommend the utmost care in managing the installation phase, avoiding:

- falls to the ground of the horn which can lead to its misalignment or to cracks or breakages of the plastic parts.

