

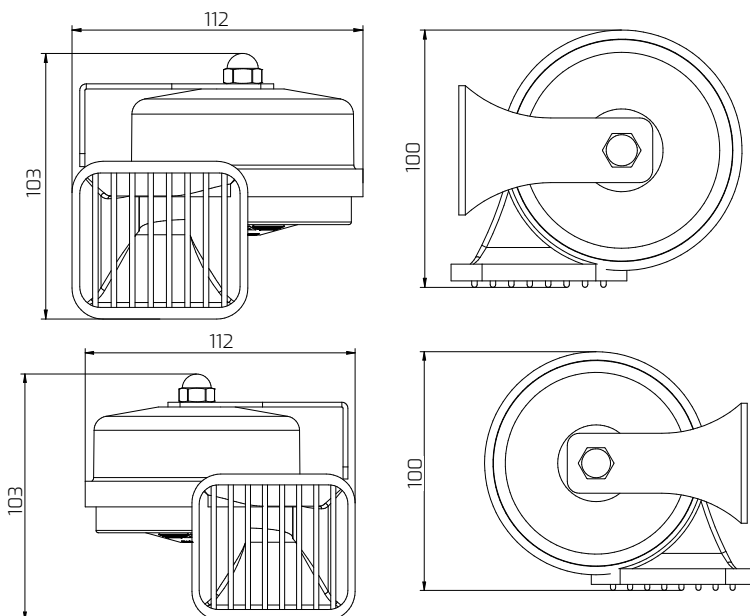


**ELECTROMAGNETIC ACOUSTIC SNAIL HORN | ø90**

**LINE TN91/2 12V**

**E3** 28

**Technical drawing**



**Connection**

Electrical wires

# LINE TN91/2 12V

## Technical features

|                                      |        |                 |
|--------------------------------------|--------|-----------------|
| Nominal Voltage                      | Vcc    | 12              |
| Voltage Range                        | Vcc    | 11,4÷13,8       |
| Current Consumption                  | A      | <6 x 2          |
| Sound Pressure Level (at 2 meters)   | dB(A)  | 109             |
| Frequency (High + Low Tone)          | Hz     | 470 + 410       |
| Terminals (No. 2 Faston 6,3 x 0,8mm) | nr     | 2               |
| Durability (1" On + 4" Off )         | cycles | >50.000         |
| Corrosion resistance (UNI 9227)      | h      | >192            |
| Operating and Storage Temperature    | °C     | from -30 to +80 |
| Electrical Insulation (at 1000Vcc)   | MΩ     | >10             |
| Vibrations (30 min x 3 axis)         | g      | 3               |
| Weight including bracket and screws  | gr     | 1.000           |

## Packing

|                           |     |                   |
|---------------------------|-----|-------------------|
| Single Packing Dimensions | mm  | 255 x 120 x 120 h |
| Master Carton Quantity    | pcs | 12                |
| Master Carton Dimensions  | cm  | 56 x 44 x 26 h    |
| Master Carton Weight      | kg  | 12                |

## Mounting Instructions

### TN91 horn

The horn must be installed in a vertical or horizontal position, in any case such that the mouth of the horn is facing downwards.

- The mechanical connection with the bracket and screws supplied must be carried out on a flat, rigid surface (possibly metal).

The horn must be installed in a position protected from:

- splashes of water generated by the movement of the vehicle.
- foreign bodies such as stones, insects, mud, snow, etc.
- excessive heat sources (above 80 °) such as radiators, exhaust pipes, engines.

### ATTENTION!

We recommend the utmost care in managing the installation phase, avoiding:

- falls to the ground of the horn which can lead to its misalignment or to cracks or breakages of the plastic parts.

