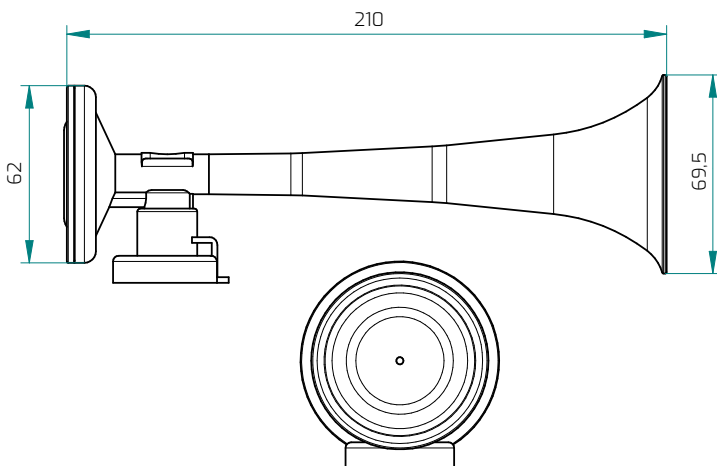




HORN FOR GAS TRUMPET

LINE BELGAS HORN

Technical drawing



Connection

Spare part for Belgas

LINE BELGAS HORN

Technical features

Sound Pressure Level (at 2 meters)	dB(A)	116
Fundamental frequency	Hz	450
Operating and Storage Temperature	C°	from -30 to +80
Weight	gr	55

Packing

Pieces for Master Carton	n.	200
Master Carton Dimensions	cm	79 x 58 x 31 h
Master Carton Weight	kg	16

Mounting Instructions

BELGAS

Join the horn-trumpet to the cylinder by means of a special snap coupling.

ATTENTION!

Play, when necessary, with the warning to direct the sound well away from people and animals.

