



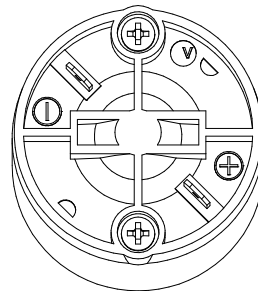
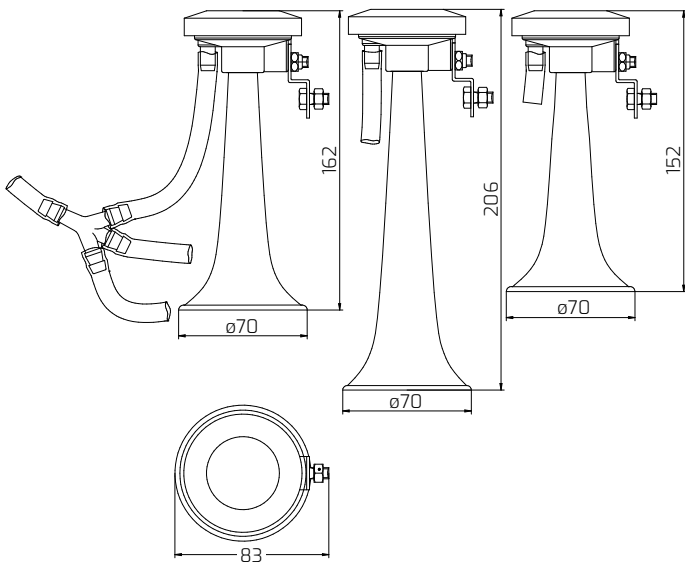
ELECTROPNEUMATIC HORN

LINE PN PN/3P 12V

E3 28 **E3** 10

Technical drawing

Connection



LINE PN PN/3P 12V

Technical features

| | | |
|--------------------------------------|--------|-----------------|
| Nominal Voltage | Vcc | 12 |
| Voltage Range | Vcc | 11,4÷13,8 |
| Current Consumption | A | <17 |
| Sound Pressure Level (at 2 meters) | dB(A) | 115 |
| Frequency (High + Medium + Low Tone) | Hz | 800 + 750 + 600 |
| Terminals (No. 2 Faston 6,3 x 0,8mm) | nr | 2 |
| Durability (1" On + 4" Off) | cycles | >50.000 |
| Corrosion resistance (UNI 9227) | h | >192 |
| Operating and Storage Temperature | °C | from -30 to +80 |
| Electrical Insulation (at 1000Vcc) | MΩ | >10 |
| Vibrations (30 min x 3 axis) | g | 3 |
| Weight including bracket | gr | 900 |

Packing

| | | |
|---------------------------|-----|------------------|
| Single Packing Dimensions | mm | 305 x 260 x 90 h |
| Master Carton Quantity | pcs | 10 |
| Master Carton Dimensions | cm | 33 x 52 x 50 h |
| Master Carton Weight | kg | 12 |

Mounting Instructions

PN/2P and 3P - ELECTROPNEUMATIC HORN

The compressor and the horns must be fixed to a flat, rigid surface (possibly metal) using the special brackets and screws supplied.

The horn must be installed in a position protected from:

- prays of water generated by the movement of the vehicle or by washing systems.
- foreign bodies such as stones, insects, mud, snow, etc.
- excessive heat sources (above 80°) such as radiators, exhaust pipes, engines.

ATTENTION!

It's recommended to install the trumpets and the electrical connection of the compressor pointing downwards.

