

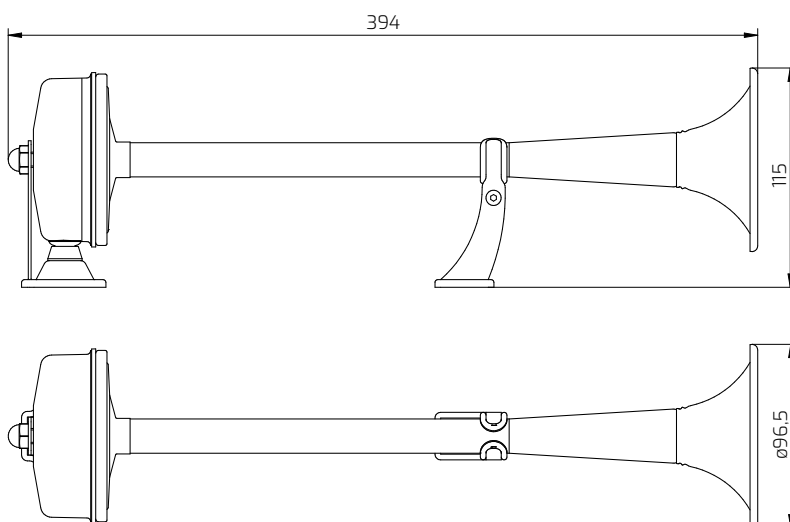


## ELECTROMAGNETIC HORN BEEPER | $\varnothing 90$

# LINE INOXSEA H 12V

**E3** 28

### Technical drawing



### Connection

2 Electrical wires

# LINE INOXSEA H 12V

## Technical features

Nominal Voltage	Vcc	12
Voltage Range	Vcc	11,4÷13,8
Current Consumption	A	<5
Sound Pressure Level (at 2 meters)	dB(A)	110
Frequency (High Tone)	Hz	375
Terminals (No. 2 Faston 6,3 x 0,8mm)	nr	2
Durability (1" On + 4" Off )	cycles	>50.000
Corrosion resistance (UNI 9227)	h	>192
Operating and Storage Temperature	°C	from -30 to +80
Electrical Insulation (at 1000Vcc)	MΩ	>10
Vibrations (30 min x 3 axis)	g	3
Weight including bracket and screws	gr	900

## Packing

Single Packing Dimensions	mm	515 x 130 x 110 h
Master Carton Quantity	pcs	16
Master Carton Dimensions	cm	53 x 47 x 50 h
Master Carton Weight	kg	16

## Mounting Instructions

### C91 - C91/LUX - INOXSEA horn (connections with electric wires)

The horn must be fixed to a flat, rigid (possibly metallic) surface using the special bracket and screws supplied.

The horn must be installed in a position protected from:

- sprays of water generated by the movement of the vehicle or by washing systems.
- foreign bodies such as stones, insects, mud, snow, etc.
- excessive heat sources (above 80°).

### ATTENTION!

It is recommended to install the horn with the mouths slightly downwards in order to avoid the entry of foreign bodies (water, mud, insects, etc.). In the case of horizontal mounting of the horn, it is recommended to mount a special SPOILER.

