

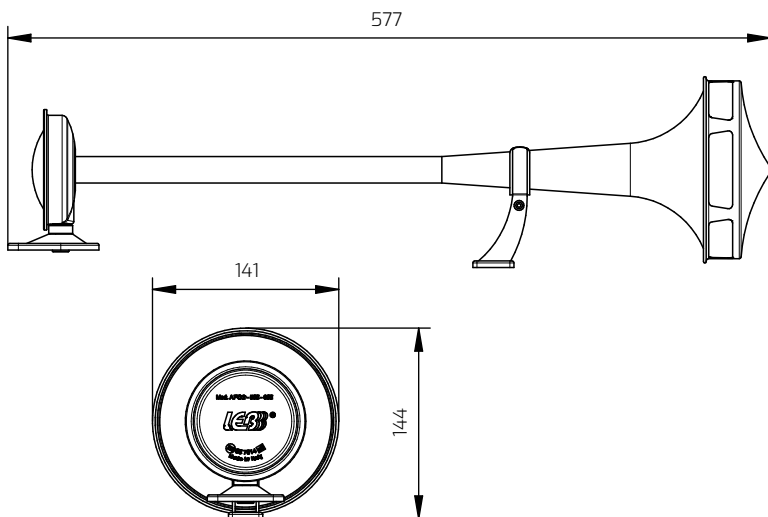


COMPRESSED AIR HORN

LINE APC APC 500

E3 28

Technical drawing



Connection

Threaded Hole 1/8 gas

LINE APC APC 500

Technical features

Operating pressure	kPa	300 - 1200
Air consumption at 850 Kpa	Nl/1 min	<350
Sound Pressure Level (at 2 meters)	dB(A)	116
Fundamental frequency (High Tone)	Hz	210
Durability (1" On + 4" Off)	cycles	>500.000
Corrosion resistance (UNI 9227)	h	>600
Operating and Storage Temperature	°C	from -30 to +80
Vibrations (30 min x 3 axis)	g	3
Weight with screws	gr	830

Packing

Single Packing Dimensions	mm	680 x 150 x 150 h
Master Carton Quantity	pcs	6
Master Carton Dimensions	cm	70 x 32 x 47 h
Master Carton Weight	kg	7,2

Mounting Instructions

APC horn

The horn must be fixed to a flat, rigid (possibly metallic) surface using the special brackets and screws supplied.

The horn must be installed in a position protected from:

- sprays of water generated by the movement of the vehicle or by washing systems;
- foreign bodies such as stones, insects, mud, snow, etc.;
- excessive heat sources (above 80°).

ATTENTION!

It is recommended to install the horn with the mouths slightly downwards in order to avoid the entry of foreign bodies (water, mud, insects, etc.) even if the same horn is equipped with one SPOILER fixed to the trumpet.

